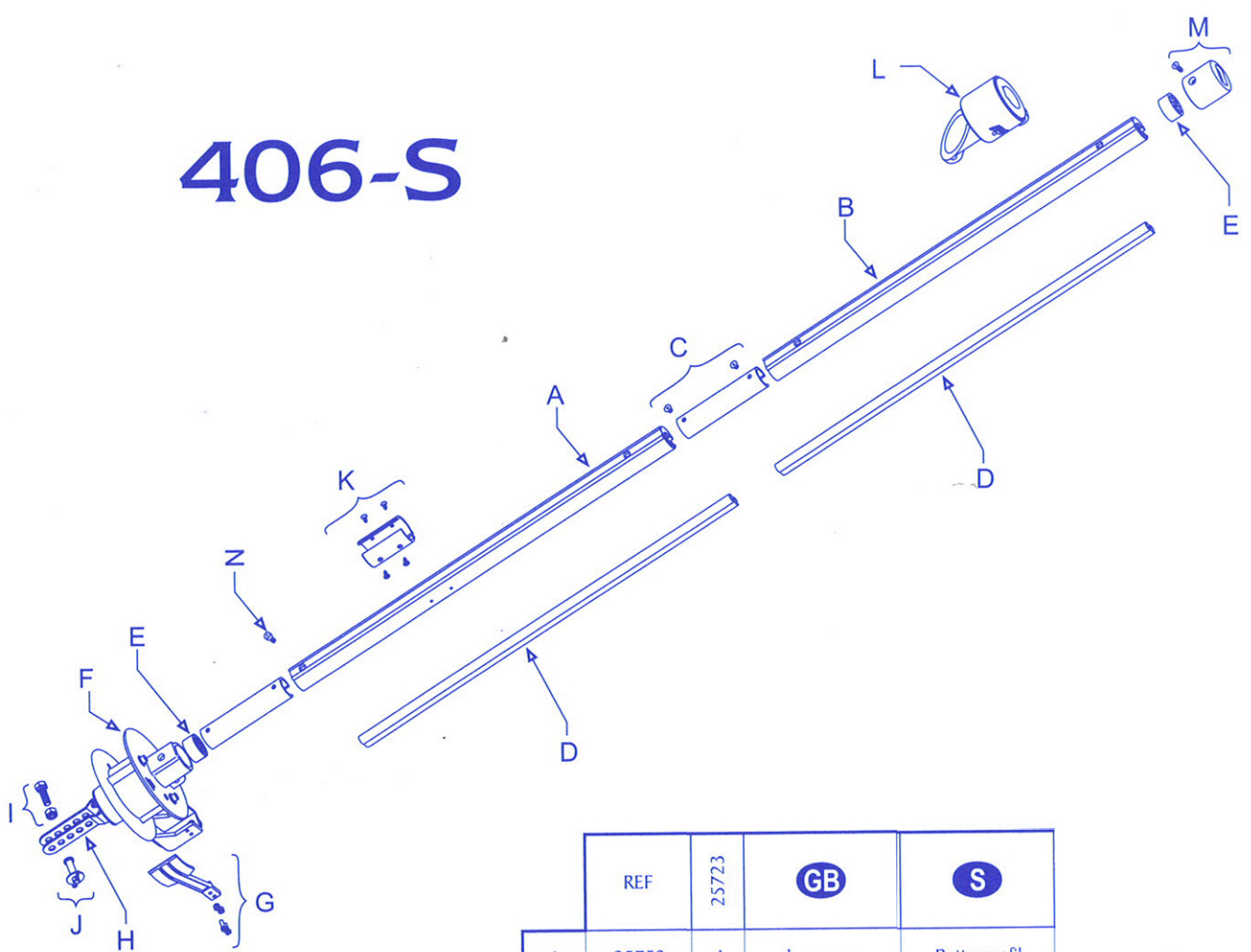


406-S



	REF	25723	GB	S
A	25752	1	base spar	Bottenprofil
B	25392	3	Intermediate spars	Standard profiler
C	25384	4	Coupling sleeves	Skarvstycken
D	26179	4	PVC liners	Innerprofil i PVC
E	22827	2	bearings Ø31	Lagringar Ø31
F	10001	1	drum unit	Trumma
G	26324	1	line feeder	revlinematare
H	26325		Chainplates 5 holes	Rostfria monte- ringsbeslag 5 hal
	21308	1	Chainplates 11 holes	Rostfria monte- ringsbeslag 11 hal
I	58242		screw+nut M8x35	1 insex M8x35
J	58243	1	Shouldered clevis pin Ø8	Riggbult Ø8
K	22844	1	boltrope prefeeder	Segelinmatare
L	17067	1	halyard swivel	Fallsvirvel
M	26321	1	top end stop	Toppdel
N	25674	1	screw M5x12	insex M5x12