

# Quick®

CE REV 001A

**High Quality Nautical Equipment**

## **GP2 GENIUS SERIES**

### **1500/2000**

**GP2 1500**

**GP2 1500 D**

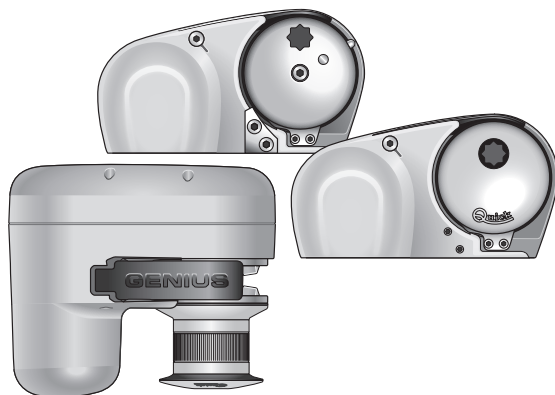
**GP2 1500 F**

**GP2 2000**

**GP2 2000 D**

**GP2 2000 F**

CIMA E CATENA SU UN UNICO BARBOTIN  
ROPE AND CHAIN ON A SINGLE GYPSY  
CORDAGE ET CHÂÎNE SUR LE MÊME BARBOTIN  
KETTE AUF EINER KOMBINIERTEN KETTENNUSS  
CABO Y CADENA EN UN ÚNICO BARBOTEN



- IT** Manuale d'uso
- GB** User's Manual
- FR** Manuel de l'utilisateur
- DE** Benutzerhandbuch
- ES** Manual del usuario

- SALPA ANCORA ORIZZONTALI**
- HORIZONTAL WINDLASSES**
- GUINDEAUX HORIZONTAL**
- HORIZONTAL ANKERWINDEN**
- MOLINETES HORIZONTALES**





---

## **IT** INDICE

Pag. 4	Caratteristiche tecniche	Pag. 8/9	Manutenzione - GP2
Pag. 5	Installazione	Pag. 10	Uso - GP2 Free Fall
Pag. 6	Schema di collegamento	Pag. 11	Manutenzione - GP2 Free Fall
Pag. 7	Uso - Avvertenze importanti	Pag. 12/13	Set

---

## **GB** INDEX

Pag. 14	Technical data	Pag. 18/19	Maintenance - GP2
Pag. 15	Installation	Pag. 20	Usage - GP2 Free Fall
Pag. 16	Connection diagram	Pag. 21	Maintenance - GP2 Free Fall
Pag. 17	Usage - warning	Pag. 22/23	Set

---

## **FR** SOMMAIRE

Pag. 24	Caractéristiques techniques	Pag. 28/29	Entretien - GP2
Pag. 25	Installation	Pag. 30	Utilisation - GP2 Free Fall
Pag. 26	Schema de câblage	Pag. 31	Entretien - GP2 Free Fall
Pag. 27	Utilisation - Avertissements importants	Pag. 32/33	Groupes

---

## **DE** INHALTSANGABE

Seite 34	Technische Eigenschaften	Seite 38/39	Wartung - GP2
Seite 35	Montage	Seite 40	Gebrauch - GP2 Free Fall
Seite 36	Anschlussplan	Seite 41	Wartung - GP2 Free Fall
Seite 37	Gebrauch - Wichtige hinweise	Seite 42/43	Gruppen

---

## **ES** INDICE

Pág. 44	Características técnicas	Pág. 48/49	Mantenimiento - GP2
Pág. 45	Instalación	Pág. 50	Uso - GP2 Free Fall
Pág. 46	Esquema de montaje	Pág. 51	Mantenimiento - GP2 Free Fall
Pág. 47	Uso - Advertencias importantes	Pág. 52/53	Grupos

---



MODELS	GP2 1500 / D - GP2 1500 FF	GP2 2000 / D - GP2 2000 FF	
<b>MOTOR OUTPUT</b>	<b>500W</b>	<b>800W</b>	
Motor supply voltage	12V	12V	24V
Maximum pull	680 Kg (1499,0 lb)	900 Kg (1984 lb)	900 Kg (1984 lb)
Maximum working load	250 Kg (551,0 lb)	350 Kg (772,0 lb)	350 Kg (772,0 lb)
Working load	85 Kg (187,0 lb)	120 Kg (265,0 lb)	120 Kg (265,0 lb)
Current absorption @ working load (1)	76 A	96 A	50 A
Maximum chain speed (2)	25,5 mm (83,7 ft/min)	29,6 mm (97,1 ft/min)	29,6 mm (97,1 ft/min)
Maximum chain speed @ working load (2)	10,3 mm (33,8 ft/min)	20,0 mm (65,6 ft/min)	20,1 mm (65,9 ft/min)
Motor cable size (3)	10 mm <sup>2</sup> (AWG7)	16 mm <sup>2</sup> (AWG5)	10 mm <sup>2</sup> (AWG7)
Protection circuit breaker (4)	40 A	80 A	40 A
Deck thickness (5)	20 ÷ 40 mm (3/4" ÷ 1" 9/16)		
Weight mod. without drum	10,2 kg (22,4 lb)		
Weight mod. with drum	11,5 kg (25,3 lb)		
Weight mod. Free Fall	10,9 kg (24,0 lb)		

(1) After an initial period of use.

(2) Measurements taken with a gypsy for a 8 mm chain.

(3) Minimum allowable value for a total length L< 20m (see pag. 16). Determine the cable size according to the length of the wiring.

(4) With circuit breaker designed for direct currents (DC) and delayed-action (thermal-magnetic or hydraulic-magnetic).

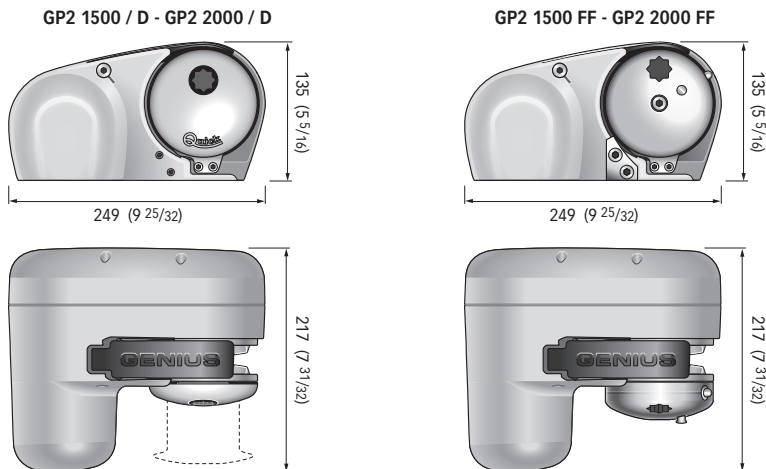
(5) On request, studs can be supplied for greater deck thicknesses.

GYPSY	6 mm		7 mm - 1/4"				8 mm		5/16"
	6 mm	6 mm	7 mm	7 mm	1/4"	1/4"	8 mm	8 mm	5/16"
Chain size	DIN 766	ISO**	DIN 766	ISO**	G4	BBB	DIN 766	ISO**	G4
Rope size *	1/2" (12,7 mm)		1/2" (12,7 mm)		1/2" (12,7 mm)		1/2" (12,7 mm)		1/2" (12,7 mm)

(\*) The values in the table regard a three-strand polyester rope with the "Quick®" system rope/chain joint.

(\*\*) ISO EN 818-3.

## DIMENSIONS OF MODELS mm ( inch )



Quick® reserves the right to introduce changes to the equipment and the contents of this manual without prior notice.

In case of discordance or errors in translation between the translated version and the original text in the Italian language, reference will be made to the Italian or English text.



## BEFORE USING THE WINDLASS READ THESE INSTRUCTIONS CAREFULLY. IF IN DOUBT, CONTACT YOUR NEAREST "QUICK®" DEALER.

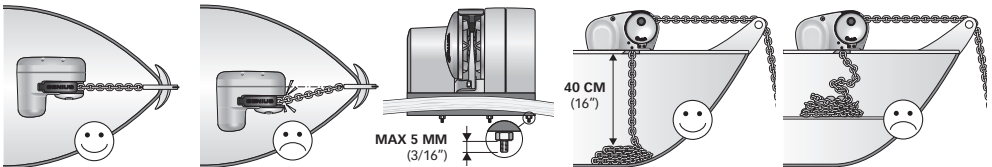
- WARNING:** the Quick® windlasses are designed to weigh the anchor. Do not use the equipment for other purposes.
- Quick® shall not be held responsible for damage to equipment and/or personal injury, caused by a faulty use of the equipment. The windlass is not designed for the loads that might occur in extreme weather conditions (storms).
- Always deactivate the windlass when not in use. Check that there are no swimmers nearby before dropping anchor.
- The splice between the rope and the chain must be tightly woven for the rope to slide easily into the gypsy shape. For any problem or request, feel free to contact Quick® Technical Service. For improved safety we recommend installing at least two anchor windlass controls in case one is accidentally damaged. We recommend the use of the Quick® hydraulic-magnetic switch as the motor safety switch. Secure the chain with a further device before starting the navigation.
- The contactor unit or reversing contactor unit must be installed in a point protected from accidental water contact.
- After completing the anchorage, secure the chain or rope to fixed points such as chain stopper or bollard.
- To prevent accidental releases, the anchor must be secured. The windlass shall not be used as the only securing device.
- Isolate the windlass from the power system during navigation (switch the circuit breaker off) and lock the chain securing it to a fixed point of the boat.

**THE PACKAGE CONTAINS:** windlass - reversing contactor unit - base gasket - drill template - handle - bolts and screws (for assembly) - user's manual - conditions of warranty.

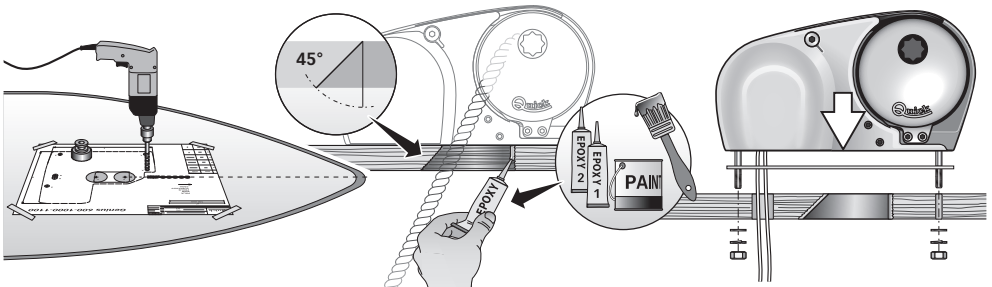
**TOOLS REQUIRED FOR INSTALLATION:** drill and drill bits: Ø 9 mm (23/64") and Ø 11 mm (7/16") - Ø 40 (1" 9/16) hollow mill; hexagonal wrench: 13 mm.

**"QUICK®"ACCESSORIES RECOMMENDED:** anchoring RL control board (mod. 800) - Waterproof hand holds R/C (mod. HRC 1002) - Foot switch (mod. 900) - Hydraulic-magnetic circuit breaker - Anchor chain counter (mod. CHC 1102M and CHC1202M) - Radio control RRC (mod. R02, P02, H02).

**INSTALLATION REQUIREMENTS:** the windlass must be positioned with the gypsy aligned with the bow roller. Ensure that the upper and lower surfaces of the deck are as parallel as possible. If this is not the case, compensate the difference appropriately (a lack of parallelism could result in a loss of motor power). The deck thickness must be included among the figures listed in the table. In cases of other thicknesses it is necessary to consult a Quick® retailer. There must be no obstacles under deck to the passage of cables, rope and chain; lack of depth of the peak could cause jamming.



**FITTING PROCEDURE:** when the ideal position has been established, drill four holes using the drilling template provided. Remove excess material from the chain through hole, ensuring the free passage of the chain or rope. Position the windlass lowering it from above deck and inserting the gasket between the deck and the base. Screw the stud bolts, using the short threaded end, onto the base. Apply a medium grade locking product onto the thread. Fix the windlass by screwing the nuts onto the fixing studs. Connect the supply cables from the windlass to the reversing contactor unit.



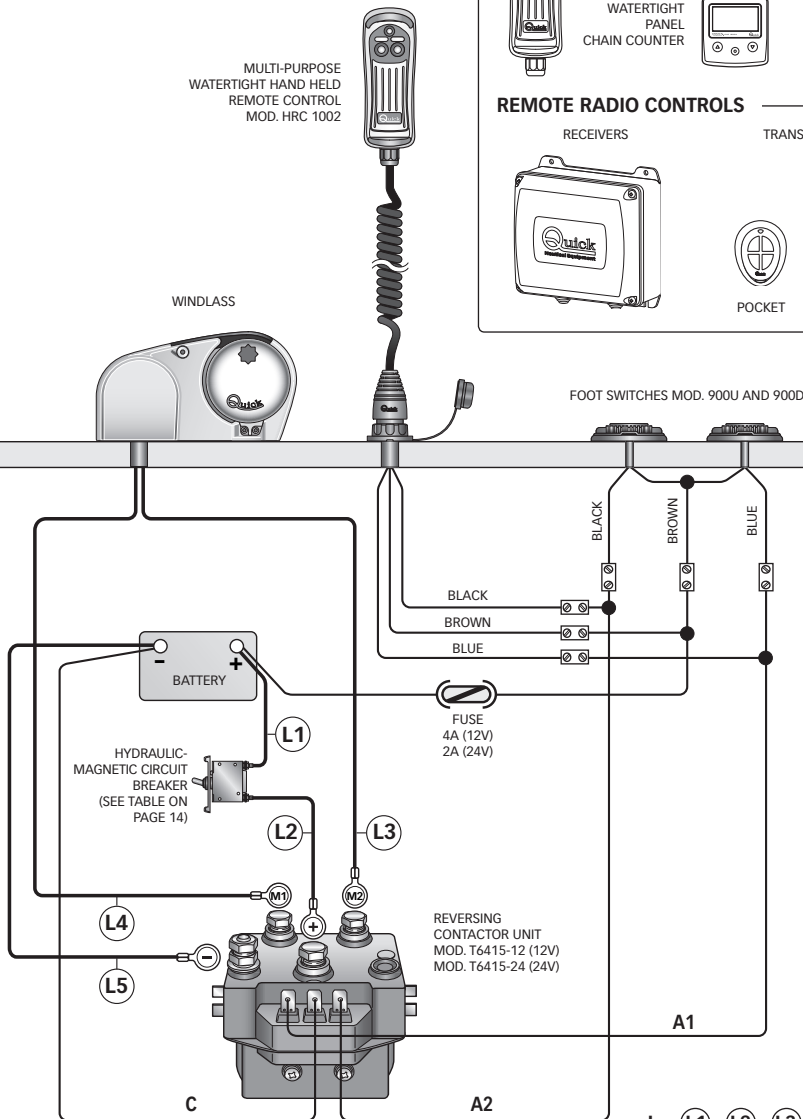
- WARNING:** before wiring up, be sure the electrical cables are not live.



## BASIC SYSTEM

MULTI-PURPOSE  
WATERTIGHT HAND HELD  
REMOTE CONTROL  
MOD. HRC 1002

WINDLASS



$$L = (L1) + (L2) + (L3) + (L4) + (L5)$$

## QUICK® ACCESSORIES FOR WINDLASS OPERATION



WATERTIGHT HAND HELD  
CHAIN COUNTER

WINDLASSES  
CONTROL  
BOARD

WATERTIGHT  
PANEL  
CHAIN COUNTER



## REMOTE RADIO CONTROLS

RECEIVERS

TRANSMITTERS





POCKET





HANDHELD



 **WARNING:** stay clear of the chains, ropes and gypsy. Make sure the electric motor is off when windlass is used manually (even when using the handle to disengage the clutch). In fact people with windlass remote controls (hand-held remote control or radio-controlled systems) might accidentally operate it.

 **WARNING:** secure the chain with a device before starting the navigation.

 **WARNING:** do not operate the windlass by using the electrical power when the handle is inserted in the drum or into the gypsy cover.

 **WARNING:** Quick® recommend using a circuit breaker designed for direct current (DC) with delayed-action (thermal-magnetic or hydraulic-magnetic) to protect the motor supply line from overheating or short circuits. The circuit breaker can be used to cut off power to the windlass control circuit and so avoid accidental activation.

## CLUTCH USE

**MOD. FF** (see drawing on page 21)

The clutch **F** provides a link between the gypsy and the main shaft **A**. The clutch can be released (disengagement) by using the handle (37) which, when inserted into the gypsy cover **F**, must be turned counter-clockwise. The clutch will be re-engaged by turning it clockwise.

**MOD. 1500/2000** (see drawing on page 18-19)

The clutch (34) provides a link between the gypsy and the main shaft (28 or 46). The clutch can be released (disengagement) by using the handle (37) which, when inserted in the bush (49) of the drum or into the gypsy cover (36), must be turned counter-clockwise. The clutch will be re-engaged by turning it clockwise.


## WEIGHING THE ANCHOR

Turn on the engine. Make sure the clutch is engaged and remove the handle. Press the UP button on the control provided. If the windlass stops and the hydraulic magnetic switch (or thermal cutout) has not tripped, wait a few seconds and try again (avoid keeping the button pressed). If the hydraulic magnetic switch, has tripped, reset it and wait a few minutes before weighing anchor once again. If, after a number of attempts, the windlass is still blocked, we suggest to move the boat to release the anchor. Check the upward movement of the chain for the last few meters in order to avoid damages to the bow.

## CASTING THE ANCHOR

The anchor can be cast by using the electrical control or manually. To operate manually, the clutch must be disengaged allowing the gypsy to revolve and letting the rope or chain fall into the water. To slow down the chain, the handle must be turned clockwise. To cast the anchor by using the electrical power, press the DOWN button on the control provided. In this manner, anchor casting is under control and the chain and rope unwind evenly. In order to avoid any stress on the windlass -once the boat is anchored- fasten the chain or secure it in place with a rope.

**DRUM USE MOD.1500 D / 2000 D** (see drawing on page 18-19)

 **WARNING:** before carrying out warping operations, check that the anchor and relative rope or chain are solidly fixed to a bitt or another strong point on the boat.

For the independent use of the drum (48) release the clutch with the handle (37), (at least 2 turns of the bush anticlockwise). Remove the handle from the bush (49) on the gypsy, wrap the rope around the drum (at least 3 turns). Activate the windlass control, keeping the rope under tension during take up. By varying the tension during take up it is possible to modify the rope winding speed.

 **WARNING:** during take up maintain a safe distance between hands and windlass drum.

Once take up is complete, screw up the clutch by tightening the gypsy drum clockwise and secure the rope to a bitt or other strong point on the boat.



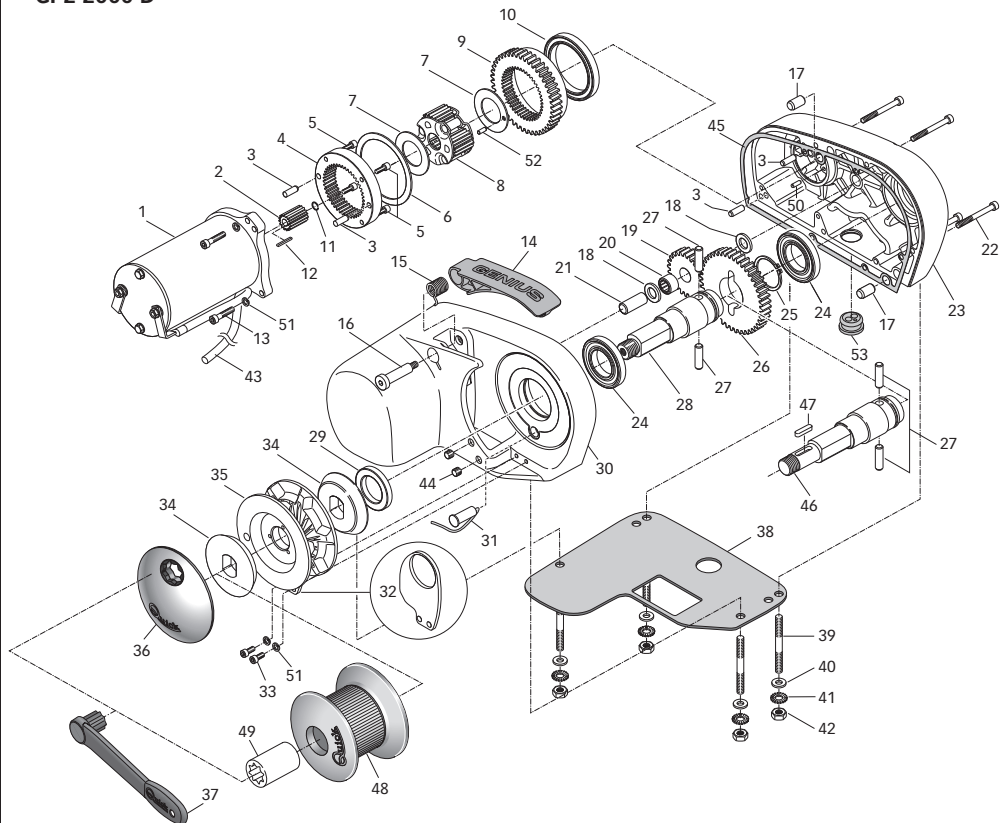
POS.	DESCRIPTION		
1A	Electric motor 800W 12V	6	Ring Ø 80
1B	Electric motor 800W 24V	7	Fifth wheel
1C	Electric motor 500W 12V	8	Plant gear
2	Sun gear	9	Movable gear
3	Plug	10	Bearing
4	Fixed gear	11	Circlip
5	Screw	12	Key

## GP2 1500

## GP2 1500 D

## GP2 2000

## GP2 2000 D







POS.	DESCRIPTION
13	Screw
14	Pressure lever
15	Spring for pressure lever
16	Screw for pressure lever
17	Plug
18	Washer
19	Idler gear
20	Bearing
21	Plug
22	Screw
23	Windlass base
24	Bearing
25	Circlip
26	Output gear
27	Plug
28	Short shaft
29	Oil seal
30	Windlass cover
31	Assembled sensor
32	Rope/chain stripper
33	Screw
34	Windlass clutch
35A	Gypsy "GP2"
35B	Gypsy "GP2" 7 mm - 1/4"
35C	Gypsy "GP2" 8 mm
35D	Gypsy "GP2" 5/16"
36	Gypsy cover
37	Windlass lever - Nylon
38	Gasket/jig
39	Stud
40	Washer
41	Spring washer
42	Nut
43	Cable
44	Screw
45	Gasket watertight
46	Gasket watertight
47	Key
48	Drum
49	Bush
50	Plug
51	Grower
52	Plug
53	Cable outlet



**WARNING:** make sure the electrical power to the motor is switched off when working manually on the windlass. Carefully remove the chain from the gypsy.

Quick® windlasses are manufactured with materials resistant to marine environments. In any case, any salt deposits on the outside must be removed periodically to avoid corrosion and damage to the equipment. The parts where salt may have built up should be washed thoroughly with fresh water.

Once a year, the drum and the gypsy are to be taken apart as follows:

### VERSION WITH FREEFALL SYSTEM

Use the handle (37) to unscrew the gypsy cover (F); loosen screw (H) and take off the gypsy cover. Loosen the screws (33) of the chain stripper (32) and remove it; remove the gypsy (35).

### NO-DRUM VERSION

Use the handle (37) to remove the gypsy cover (36); remove the top clutch cone (34); loosen the fixing screws (33) of the chain stripper (32) and remove it and pull off the gypsy (35).

### DRUM VERSION

Use the handle (37) to loosen the bush (49); pull off the drum (48) and the top clutch cone (34); loosen the fixing screws (33) of the rope/chain stripper (32) and remove it. Pull off the gypsy (35).

Clean all the parts removed to avoid corrosion, and grease the shaft thread (28, 46 or A) and the gypsy (35) where the clutch cones rest (use grease suitable for marine environment) (34).

Remove any oxide deposits from the terminals of the electric motor and the reversing contactor unit; grease them.



## FREEFALL SYSTEM MOD. GP2 1500 FF - MOD. GP2 2000 FF



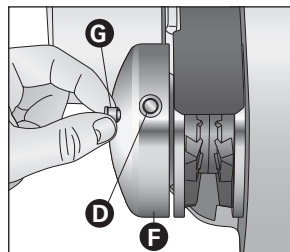
**ATTENTION:** The automatic system should be activated or deactivated with the clutch closed (engaged) to avoid damage to the electromechanical components.

### ACTIVATING THE FREEFALL SYSTEM

Follow the directions given below to activate the freefall system:

- Turn the cover **[F]** until the pin's hole **[D]** faces upwards (as shown in fig.A).
- Shut off power to the windlass.
- Block the chain with a lock.
- Pull the knob **[G]** until the pin is completely out **[D]**.
- Make certain the clutch is closed (engaged).
- Release the chain.
- Turn power to the windlass back on.

FIG.A



Hold down the DOWN button to open the clutch (disengaged).

As a result the gypsy will turn freely around its axis.

On the other hand, hold down the UP button to close the clutch (engaged). As a result, the gypsy is integral to the "A" axis again.

### CASTING WITH THE FREEFALL SYSTEM

With the freefall system activated, keep the DOWN button pressed up to the point in which the anchor can fall freely without encountering any problems and then release the button.

To slow down or stop letting the chain fall down, hold down the UP button until the desired effect is obtained.

### WEIGHING THE ANCHOR WITH THE FREEFALL SYSTEM

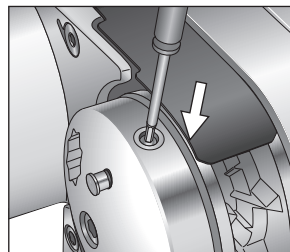
Perform the procedure given in paragraph USAGE - WEIGHING THE ANCHOR.

### DEACTIVATING THE FREEFALL SYSTEM

Follow the directions given below to deactivate the freefall system:

- Turn the cover **[F]** until the pin's hole **[D]** faces upwards.
- Shut off power to the windlass.
- Block the chain with a lock.
- Push the pin **[D]**, into the center of the gypsy with the aid of a suitable tool, as shown in fig.B.
- Make certain the clutch is closed (engaged).
- Release the chain.
- Turn power to the windlass back on.

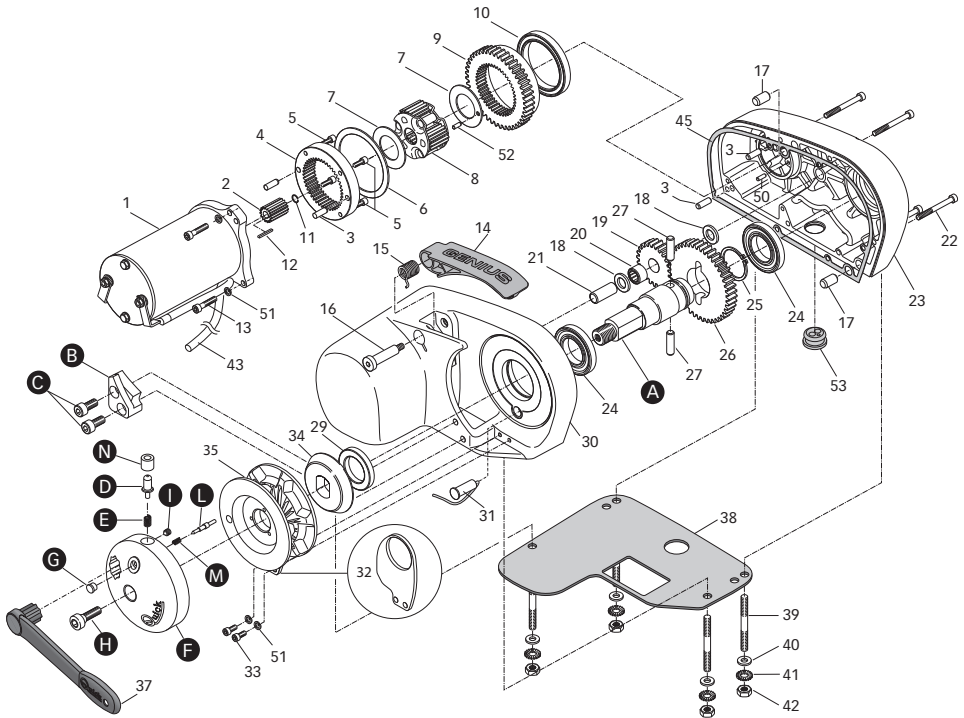
FIG.B



When the freefall system is deactivated, the chain can be lowered only electrically or manually (see paragraph USAGE – CLUTCH USE).



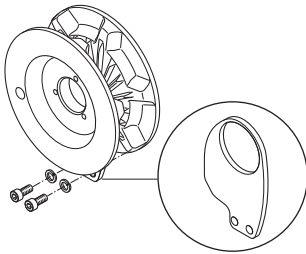
GP2 1500 FF  
GP2 2000 FF



POS. DESCRIPTION

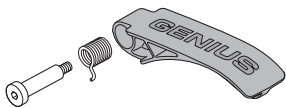
A	Shaft	G	knob Ø10
B	Windlass pin guide	H	Gypsy cover screw
C	Screw M 8*18	I	screw M5
D	Pin Ø 8	L	Pin Ø 5
E	Spring pin Ø 8	M	Spring pin Ø 5
F	Gypsy cover	N	Pilot boss

Number and code references given on next page.



OSP GYPSY GP2 8MM  
 OSP GYPSY GP2 7MM-1/4"  
 OSP GYPSY GP2 6MM  
 OSP GYPSY GP2 5/16"

FVSSBGP20008A00  
 FVSSBGP20714A00  
 FVSSBGP20006A00  
 FVSSBGP20516A00



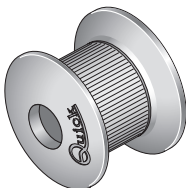
OSP KIT GP2 500/1200 PRESSURE LEVER

FVSSTCGP2200A00



OSP GYPSY COVER "SERIES 2"

FVSSCPBBASG0A00



OSP WINDLASS DRUM "SERIES 2" STAINLESS S.

FVSSMSE0800XA00



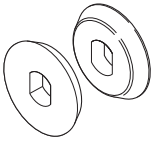
OSP DRUM BUSH "SERIES 1-2"

FVSSGMSDCP05000



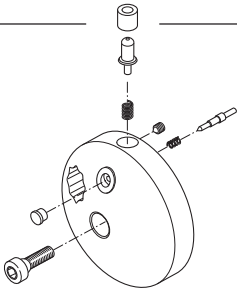
SET

GB



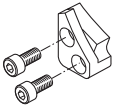
OSP KIT GP2 WINDLASS CLUTCH CONE

FVSSCF600000A00



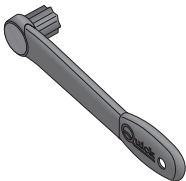
OSP COMPLET FF "GP2" GYPSY COVER

FVSSCPBBGFF0A00



OSP KIT GP2 FF WINDLASS PIN GUIDE

FVSSGPGFF000A00



OSP STRAIGHT WINDLASS LEVER - NYLON

FVSSLVSDN000A00

# GP2 GENIUS SERIES

## 1500 / 2000

R001A

**IT** Codice e numero seriale del prodotto

**GB** Product code and serial number

**FR** Code et numéro de série du produit

**DE** Code- und Seriennummer des Produkts

**ES** Código y número de serie del producto

**Quick**<sup>®</sup>  
Nautical Equipment

QUICK® S.P.A. - Via Piangipane, 120/A - 48124 Piangipane (RAVENNA) - ITALY  
Tel. +39.0544.415061 - Fax +39.0544.415047  
[www.quickitaly.com](http://www.quickitaly.com) - E-mail: [quick@quickitaly.com](mailto:quick@quickitaly.com)