

Quick®

CE REV 000A

High Quality Nautical Equipment

DP2E

DP2E 600

DP2E 600 D

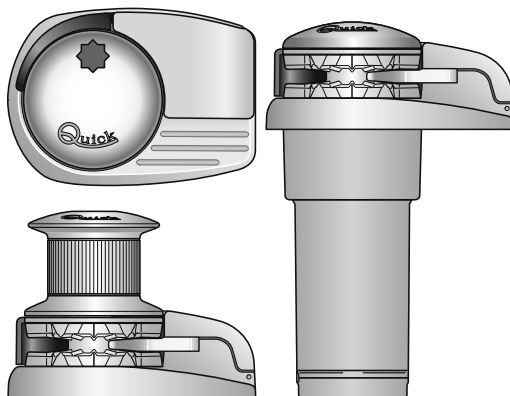
DP2E 1000

DP2E 1000 D

DP2E 1100

DP2E 1100 D

CIMA E CATENA SU UN UNICO BARBOTIN
ROPE AND CHAIN ON A SINGLE GYPSY
CORDAGE ET CHÂÎNE SUR LE MÊME BARBOTIN
KETTE AUF EINER KOMBINIERTEN KETTENUSS
CABO Y CADENA EN UN ÚNICO BARBOTEN



IT

Manuale d'uso

GB

User's Manual

FR

Manuel de l'utilisateur

DE

Benutzerhandbuch

ES

Manual del usuario

SALPA ANCORA VERTICALI

VERTICAL WINDLASSES

GUINDEAUX VERTICAUX

VERTIKAL ANKERWINDEN

MOLINETES VERTICALES



IT INDICE

Pag. 4	Caratteristiche tecniche	Pag. 7	Usò - Avvertenze importanti
Pag. 5	Installazione	Pag. 8/9	Manutenzione
Pag. 6	Schema di collegamento		

GB INDEX

Pag. 10	Technical data	Pag. 13	Usage - Warning
Pag. 11	Installation	Pag. 14/15	Maintenance
Pag. 12	Connection diagram		

FR SOMMAIRE

Pag. 16	Caractéristiques techniques	Pag. 19	Utilisation - Avertissements importants
Pag. 17	Installation	Pag. 20/21	Entretien
Pag. 18	Schéma de câblage		

DE INHALTSANGABE

SEITE 22	Technische Eigenschaften	SEITE 25	Gebrauch - Wichtige Hinweise
SEITE 23	Montage	SEITE 26/27	Wartung
SEITE 24	Anschlussplan		

ES INDICE

PAG. 28	Características técnicas	PAG. 31	Usò - Advertencias importantes
PAG. 29	Instalación	PAG. 32/33	Mantenimiento
PAG. 30	Esquema de montaje		



MODEL	DP2E 600/600D	DP2E 1000/1000D	DP2E 1100/1100D
MOTOR POWER	500W	800W	
Motor supply voltage	12V	12V	24V
Maximum pull	620 Kg (1366,9 lb)	820 Kg (1807,8 lb)	
Maximum working load	200 Kg (440,9 lb)	290 Kg (639,3 lb)	290 Kg (1060 lb)
Working load	65 Kg (143,3 lb)	95 Kg (209,4 lb)	95 kg (209,4 lb)
Current absorption @ working load (1)	60 A	84 A	53 A
Maximum chain speed (2)	m/min 22,9 (75,1 ft/min)	22,5 (73,8 ft/min)	22,6 (74,1 ft/min)
Maximum chain speed @ working load (2)	m/min 18,6 (61,0 ft/min)	15,2 (49,9 ft/min)	16,8 (55,1 ft/min)
Motor cable size (3)	16 mm ² (AWG5)	25 mm ² (AWG3)	10 mm ² (AWG7)
Protection circuit breaker (4)	50 A	80 A	40 A
Deck thickness (5)	20 ÷ 40 mm (25/32" ÷ 1" 9/16)		
Weight - model without drum	8,3 Kg (18,3 lb)		
Weight - model with drum	9,1 Kg (20,1 lb)		

- (1) After an initial period of use.
- (2) Measurements taken with a gypsy for a 8 mm chain.
- (3) Minimum allowable value for a total length L<20m (see pag. 34). Determine the cable size according to the length of the wiring.
- (4) With circuit breaker designed for direct currents (DC) and delayed-action (thermal-magnetic or hydraulic-magnetic).
- (5) On request, studs can be supplied for greater deck thicknesses.

GYPSY (*)	6 mm		7 mm - 1/4"				8 mm			5/16"
Chain size	6 mm DIN 766	6 mm ISO	7 mm DIN 766	7 mm ISO	1/4" G4	1/4" BBB	8 mm DIN 766	8 mm ISO	5/16" BBB	5/16" G4
Rope size (**)	1/2"		1/2"				1/2"			1/2"

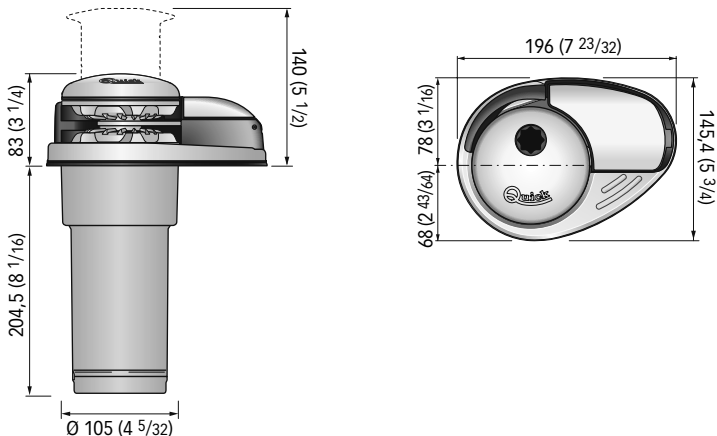
(*) For the gypsy codes, please consult the exploded drawing on page 14.

(**) The values in the table refer to a three-strand polyester rope with a rope/chain splice manufactured with the "Quick®" system.

(***) ISO EN 818-3.

DIMENSIONS OF MODELS mm (inch)

DP2E 600 / 1000 / 1100 - / D



Quick® reserves the right to introduce changes to the equipment and the contents of this manual without prior notice.

In case of discordance or errors in translation between the translated version and the original text in the Italian language, reference will be made to the Italian or English text.



BEFORE USING THE WINDLASS READ THESE INSTRUCTIONS CAREFULLY. IF IN DOUBT, CONTACT YOUR NEAREST "QUICK®" DEALER.

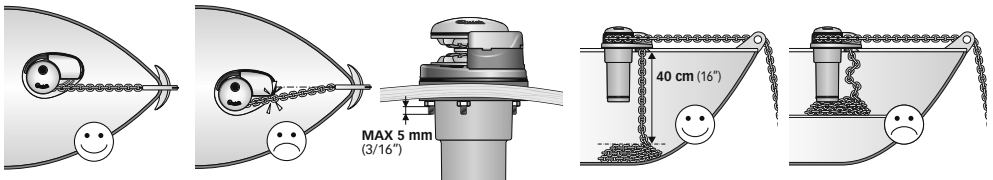
- ⚠ **WARNING:** the Quick® windlasses are designed to weigh the anchor. ⚠ Do not use the equipment for other purposes.
- ⚠ Quick® shall not be held responsible for damage to equipment and/or personal injury, caused by a faulty use of the equipment.
- ⚠ The windlass is not designed for the loads that might occur in extreme weather conditions (storms).
- ⚠ Always deactivate the windlass when not in use.
- ⚠ Check that there are no swimmers nearby before dropping anchor.
- ⚠ The splice between the rope and the chain must be tightly woven for the rope to slide easily into the gypsy shape. For any problem or request, feel free to contact Quick® Technical Service.
- ⚠ For improved safety we recommend installing at least two anchor windlass controls in case one is accidentally damaged.
- ⚠ We recommend the use of the Quick® hydraulic-magnetic switch as the motor safety switch.
- ⚠ Secure the chain with a further device before starting the navigation.
- ⚠ The contactor unit or reversing contactor unit must be installed in a point protected from accidental water contact.
- ⚠ After completing the anchorage, secure the chain or rope to fixed points such as chain stopper or bollard.
- ⚠ To prevent accidental releases, the anchor must be secured. The windlass shall not be used as the only securing device.
- ⚠ Isolate the windlass from the power system during navigation (switch the circuit breaker off) and lock the chain securing it to a fixed point of the boat.

THE PACKAGE CONTAINS: windlass - reversing contactor unit - base gasket - drill template - handle - bolts and screws (for assembly) - user's manual - conditions of warranty.

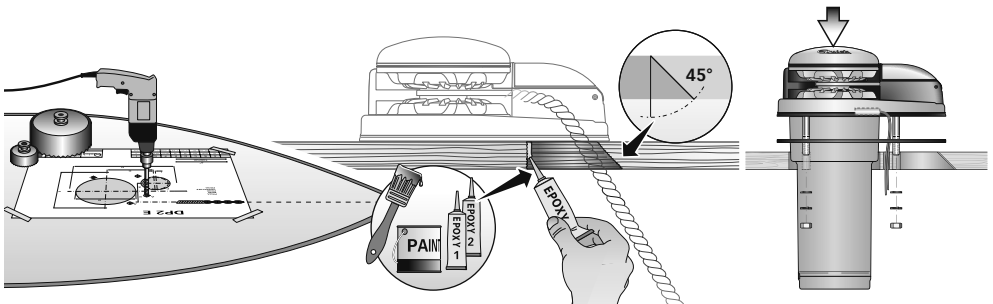
TOOLS REQUIRED FOR INSTALLATION: drill and drill bits: Ø 9 mm (23/64") - Ø 51 mm (2") and Ø 108 mm (4"1/4) hollow mill; hexagonal wrenches: 10 mm and 13 mm.

"QUICK®"ACCESSORIES RECOMMENDED: anchoring RL control board (mod. 800) - Waterproof hand helds R/C (mod. HRC1002) - Foot switch (mod. 900) - Hydraulic-magnetic circuit breaker - Anchor chain counter (mod. CHC1102M and CHC1202M) - Radio control (mod. R02, PO2, H02).

INSTALLATION REQUIREMENTS: the windlass must be positioned with the gypsy aligned with the bow roller. Ensure that the upper and lower surfaces of the deck are as parallel as possible. If this is not the case, compensate the difference appropriately (a lack of parallelism could result in a loss of motor power). The deck thickness must be included among the figures listed in the table. In cases of other thicknesses it is necessary to consult a Quick® retailer. There must be no obstacles under deck to the passage of cables, rope and chain; lack of depth of the peak could cause jamming.



FITTING PROCEDURE: when the ideal position has been established, drill four holes using the drilling template provided. Remove excess material from the chain passage, refine and flatten with a specialized product (marine paint, gel coat or two pack epoxy) to assure free passage for both rope and chain. Position the upper section, inserting the gasket between the deck and the base and connect the lower section to the assembly, inserting the shaft into the reduction unit. Fix the windlass by screwing the nuts onto the fixing studs. Connect the supply cables from the windlass to the contactor unit.



- ⚠ **WARNING:** before wiring up, be sure the electrical cables are not live.



BASIC SYSTEM

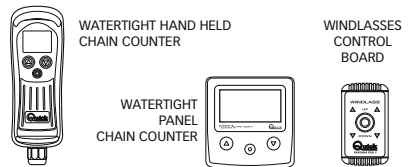
SEE PAGE 34
SHOWING THE MAIN
CONNECTION DIAGRAM

MULTI-PURPOSE
WATERTIGHT HAND HELD
REMOTE CONTROL
MOD. HRC 1002

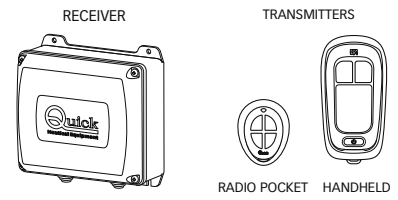
WINDLASS

MOTOR

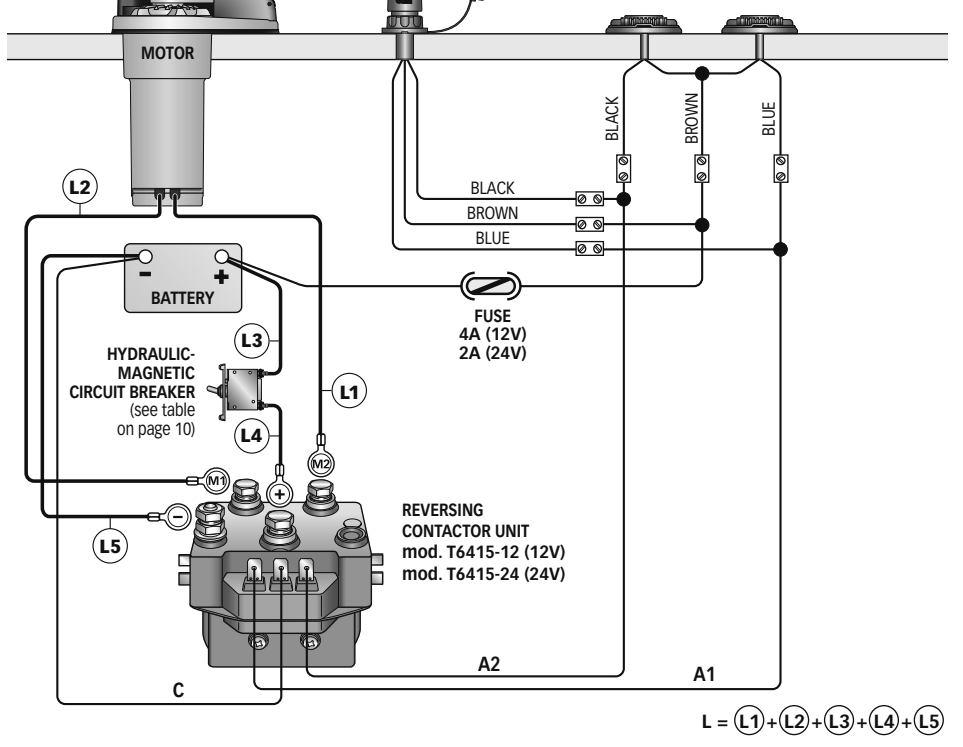
QUICK® accessories for windlass operation



REMOTE RADIO CONTROLS



FOOT SWITCHES MOD. 900U AND 900D



$$L = (L1) + (L2) + (L3) + (L4) + (L5)$$

**WARNING**

WARNING: stay clear of the chains, ropes and gypsy. Make sure the electric motor is off when windlass is used manually (even when using the handle to disengage the clutch). In fact people with windlass remote controls (hand-held remote control or radio-controlled systems) might accidentally operate it.



WARNING: secure the chain with a device before starting the navigation.



WARNING: do not operate the windlass by using the electrical power when the handle is inserted in the drum or into the gypsy cover.



WARNING: Quick® recommends using a protection to prevent the engine line from suffering damages due to overheating or shortcircuits. For AC currents the use of a fuse is recommended (details on its dimension are specified in the page of the connection diagram); For DC currents the use of a specific and delayed-action (thermal-magnetic or hydraulic-magnetic) circuit breaker is recommended. The circuit breaker can be used to cut off power to the windlass control circuit and so avoid accidental activation.

CLUTCH USE

The clutch provides a link between the gypsy and the main shaft. The clutch can be released (disengagement) by using the handle which, when inserted in the bush of the drum or into the gypsy cover (4), must be turned counter-clockwise. The clutch will be re-engaged by turning it clockwise (engagement).

WEIGHING THE ANCHOR

Turn on the engine. Make sure the clutch is engaged and remove the handle. Press the UP button on the control provided.

If the windlass stops and the hydraulic magnetic switch (or thermal cutout) has not tripped, wait a few seconds and try again (avoid keeping the button pressed).

If the hydraulic magnetic switch, has tripped, reset it and wait a few minutes before weighing anchor once again.

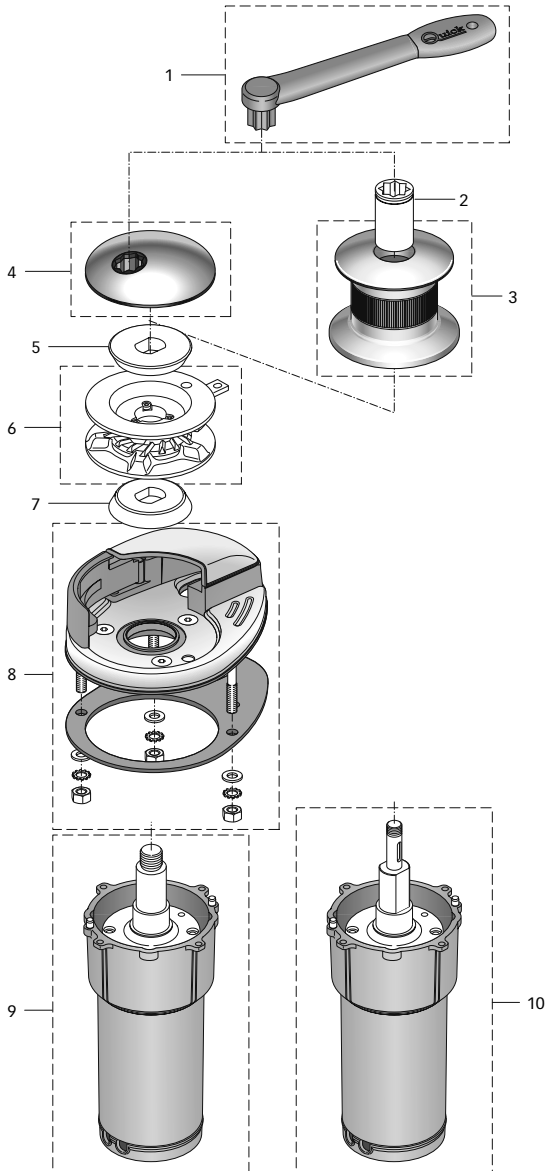
If, after a number of attempts, the windlass is still blocked, we suggest to move the boat to release the anchor. Check the upward movement of the chain for the last few meters in order to avoid damages to the bow.

CASTING THE ANCHOR

The anchor can be cast by using the electrical control or manually. To operate manually, the clutch must be disengaged allowing the gypsy to revolve and letting the rope or chain fall into the water. To slow down the chain, the handle must be turned clockwise.

To cast the anchor by using the electrical power, press the DOWN button on the control provided. In this manner, anchor casting is under control and the chain and rope unwind evenly.

In order to avoid any stress on the windlass -once the boat is anchored- fasten the chain or secure it in place with a rope.



POS.	DESCRIPTION	CODE
1	OSP NYLON STRAIGHT WINDLASS LEVER	FVSSLVSDN000A00
2	Bush DP2 chromed	SGMSD0400000
3	OSP DRUM 800W	FVSSMSE0800XA00
4	OSP GYPSY COVER 800W	FVSSCPBBASG0A00
5	Top clutch cone	MSF07G000000
6A	OSP GYPSY DP2 1/4"	FVSSBDP20140A00
6B	OSP GYPSY DP2 5/16"	FVSSBDP20516A00
6C	OSP GYPSY DP2 6MM	FVSSBDP20600A00
6D	OSP GYPSY DP2 8MM	FVSSBDP20800A00
7	Bottom clutch cone	MSF08ASCN000
8	OSP WINDLASS BASE SERIES DP2E COMP	FVSSBDP2EC00A00
9A	OSP MOTORGearBOX 600W 12V DP2E	FVSSR0612E00A00
9B	OSP MOTORGearBOX 800W 12V DP2E	FVSSR0812E00A00
9C	OSP MOTORGearBOX 800W 24V DP2E	FVSSR0824E00A00
10A	OSP MOTORGearBOX 600W 12V DP2E D	FVSSR0612ED0A00
10B	OSP MOTORGearBOX 800W 12V DP2E D	FVSSR0812ED0A00
10C	OSP MOTORGearBOX 800W 24V DP2E D	FVSSR0824ED0A00



WARNING: make sure the electrical power to the motor is switched off when working manually on the windlass. Carefully remove the chain from the gypsy.

Quick® windlasses are manufactured with materials resistant to marine environments. In any case, any salt deposits on the outside must be removed periodically to avoid corrosion and damage to the equipment. The parts where salt may have built up should be washed thoroughly with fresh water.

Once a year, the drum and the gypsy are to be taken apart as follows:

DRUM VERSION

Use the handle (1) to loosen the bush (2); pull off the drum (3) and the top clutch cone (5); loosen the fixing screws of the rope/chain stripper and remove it. Pull off the gypsy.

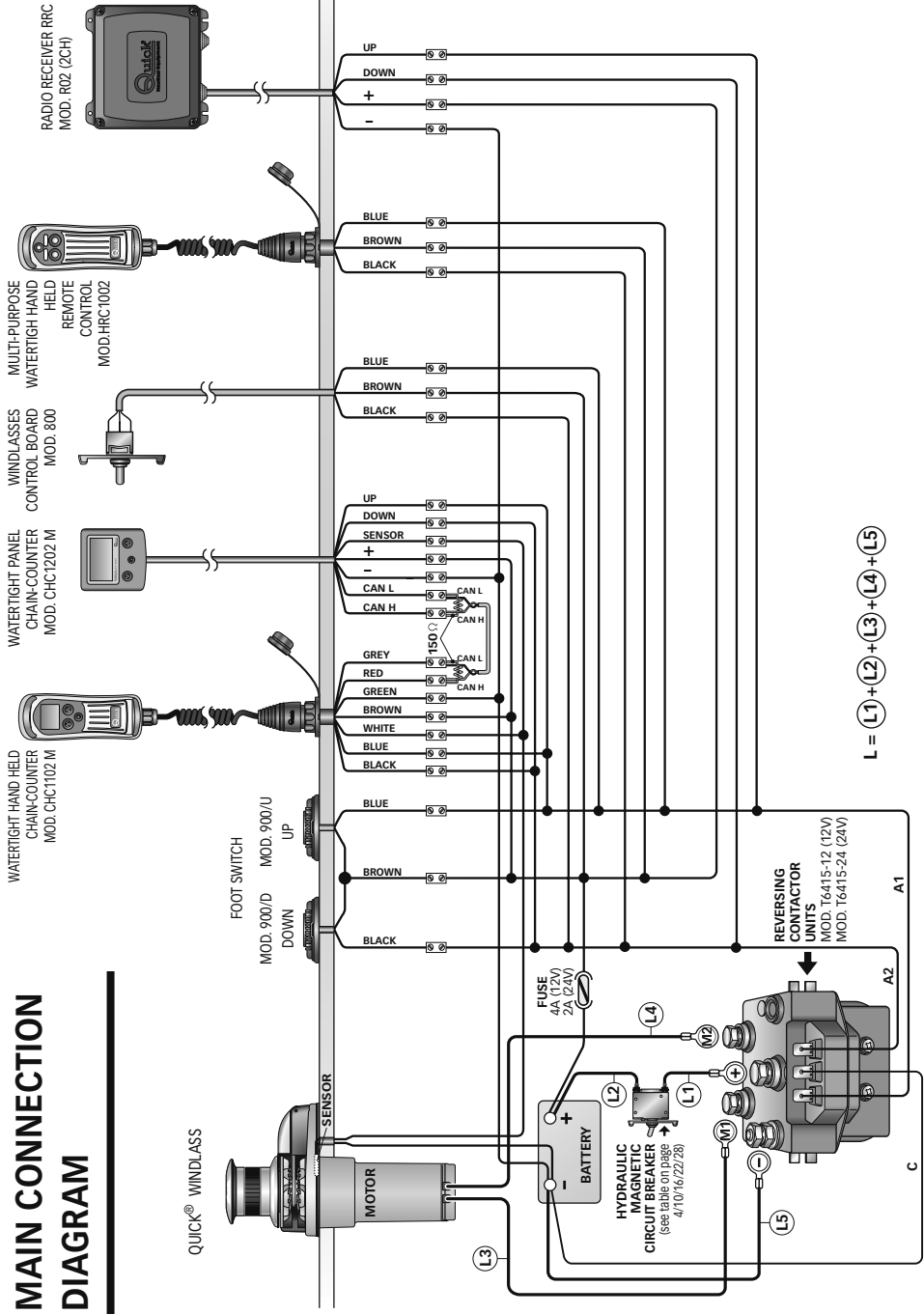
NO-DRUM VERSION

Use the handle (1) to remove the gypsy cover (4); remove the top clutch cone (5); loosen the fixing screws of the chain stripper and remove it and pull off the gypsy (6).

Clean all the parts removed to avoid corrosion, and grease the shaft thread and the gypsy (6) where the clutch cones rest (5 and 7).

Remove any oxide deposits from the terminals of the electric motor and the reversing contactor unit; grease them.

MAIN CONNECTION DIAGRAM



NOTES



DP2E

600 - 1000 - 1100

R000A

- IT** Codice e numero seriale del prodotto
- GB** Product code and serial number
- FR** Code et numéro de série du produit
- DE** Code- und Seriennummer des Produkts
- ES** Código y número de serie del producto

Quick[®]
Nautical Equipment

QUICK[®] S.P.A. - Via Piangipane, 120/A - 48124 Piangipane (RAVENNA) - ITALY
Tel. +39.0544.415061 - Fax +39.0544.415047
www.quickitaly.com - E-mail: quick@quickitaly.com